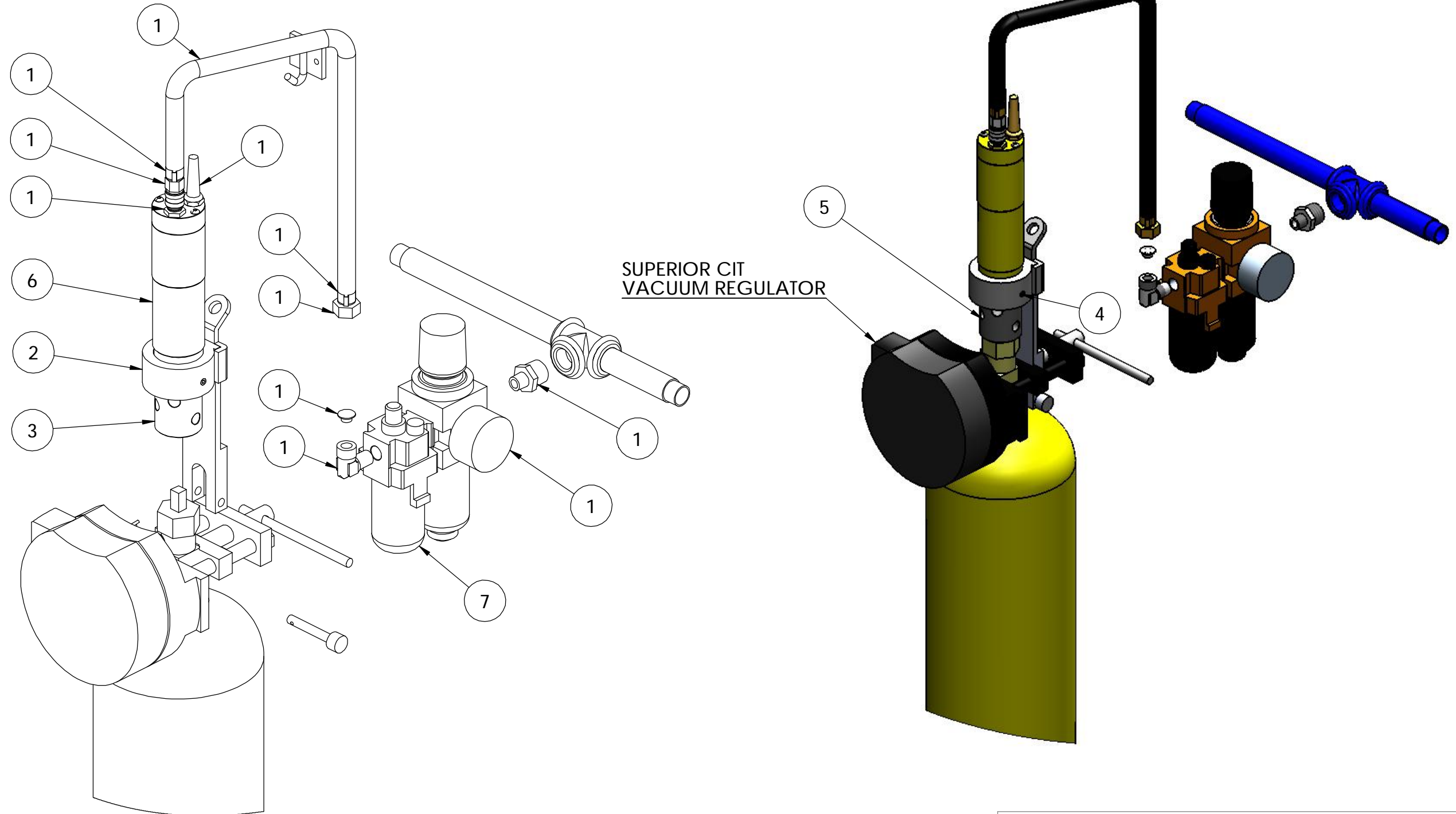


KIT	ITEM NO	PART	QTY	DESCRIPTION
107DA1016-05	1	107DA2019	1	SQUARE SPINDLE FITTINGS KIT - SEE 107DA2016 SPEC
107DA1016-05	2	CH540C7K-1201-01	1	MOUNTING BRACKET SHERWOOD C VAC REG CLAMP
107DA1016-05	3	CHCG652	1	DRIVE ADAPTOR 3/8" SQUARE
107DA1016-05	4	CHM6X12DPSS	2	M6 X 12 DOG POINT SOCKET SET SCREW STAINLESS STEEL
107DA1016-05	5	CHM6X10CPSS	1	M6 X 10 CUP POINT SOCKET SET SCREW STAINLESS STEEL
107DA1016-05	6	CH8411033411HT	1	AIR MOTOR
107DA1016-05	7	CH1226030	1	1/4" BSP FRL
107DA1016-05	8	CHCG658	1	WALL HANGER BRACKET

<b>SIZE-A3</b>	TITLE :SQUARE SPINDLE SHERWOOD COMPLETE YOKE DRIVE KIT WITH SUPERIOR (CIT) VACUUM REGULATOR ASSEMBLY	DRG.NO.- 107DA1016-07	
PSI PART NO.	107DA1016-07	SCALE	DRAWN DATE
CUST. PART NO.	PART NO2	NTS	L.C 10/05/12



**CYLINDER MOTOR KIT**

1. STANDARD MOTOR UP TO 68Nm STALL TORQUE
2. ALL FACRICATION 304 STAINLESS STEEL STANDARD

REV.	DESCRIPTION	DATE	DRAWN BY
1	FIRST DRAWN	10/05/12	L.C

**PSI** PSI Global Ltd., South Industrial Est., Bowburn, Durham, England, DH6 5AD  
 Tel. : (0191)3770550 Fax. : (0191) 3770769  
 This drawing is the property of PSI Global Ltd. and must not be copied or reproduced without prior written consent. The copyright belongs to the company.

**STATUS:**  
**PRODUCTION**